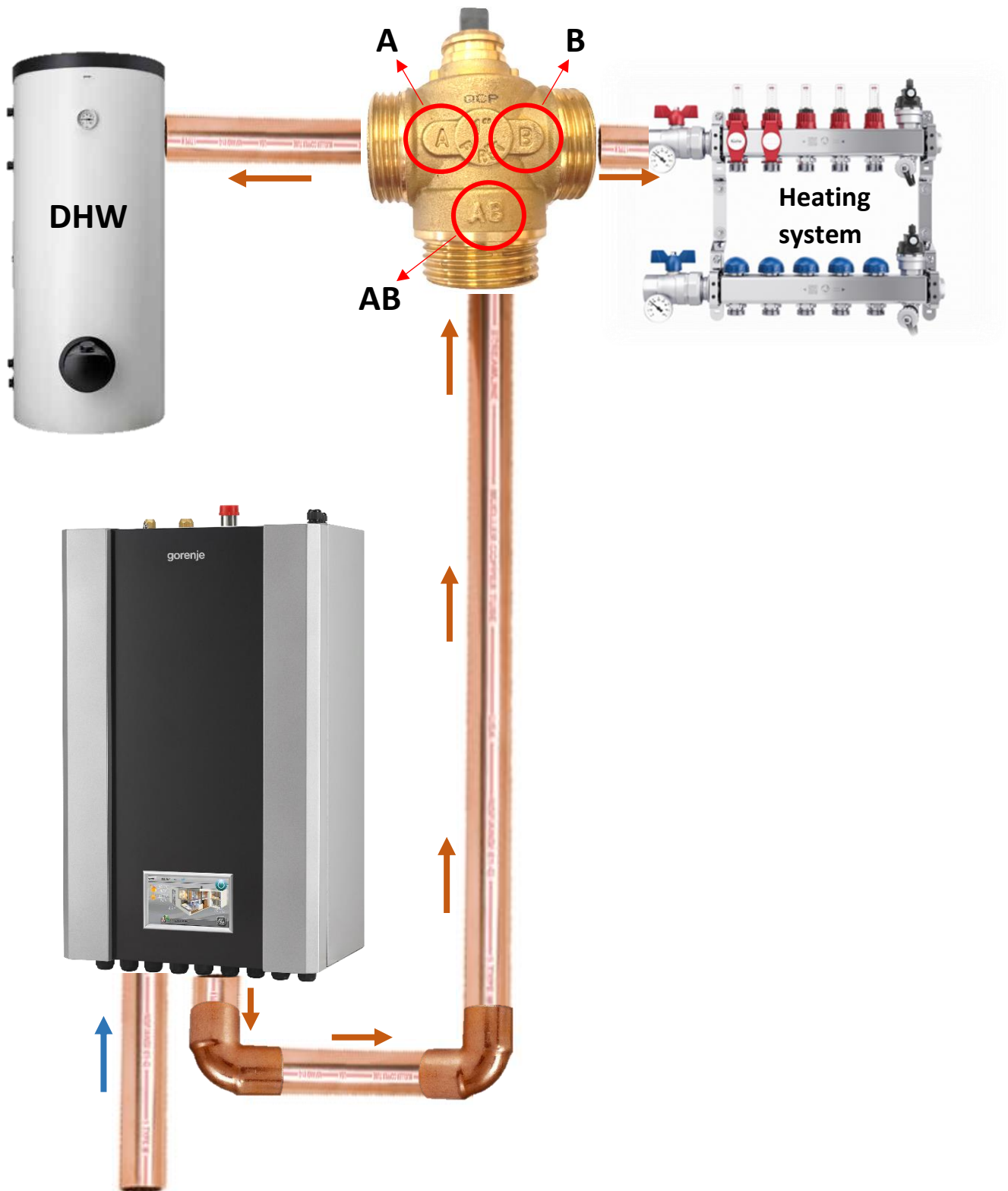


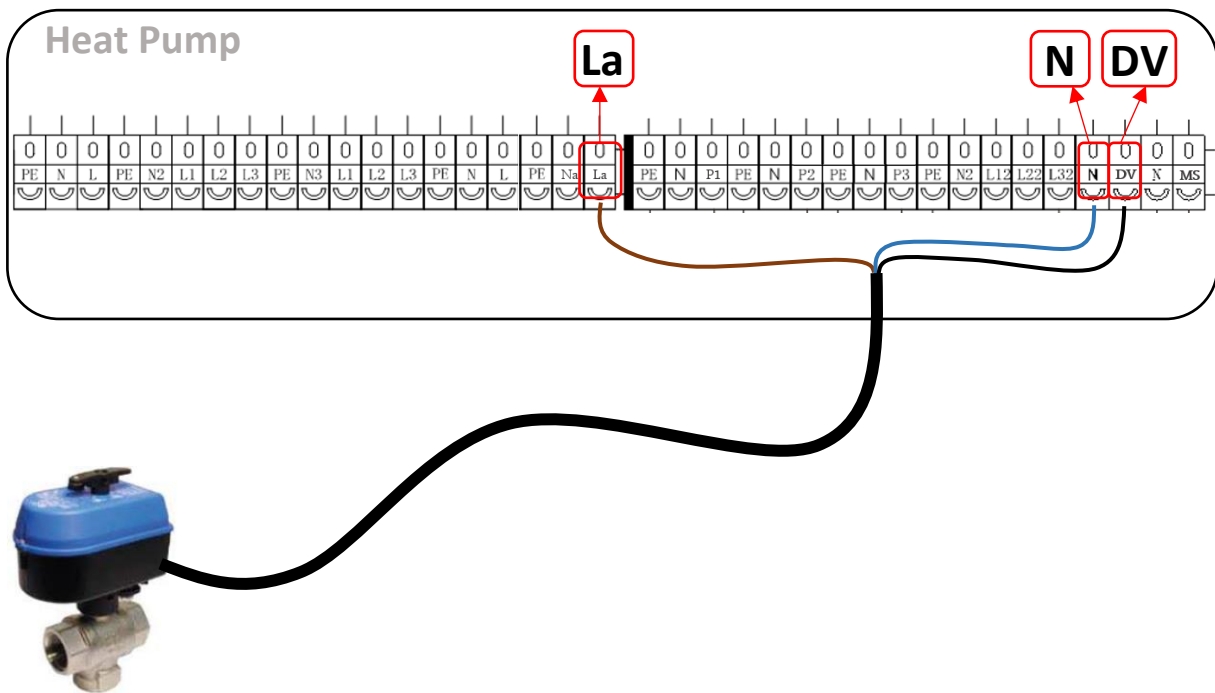
**DIVERTING VALVE – FIRŠT
AEROGOR INVERTER A & AS SERIES**



1. VALVE POSITION

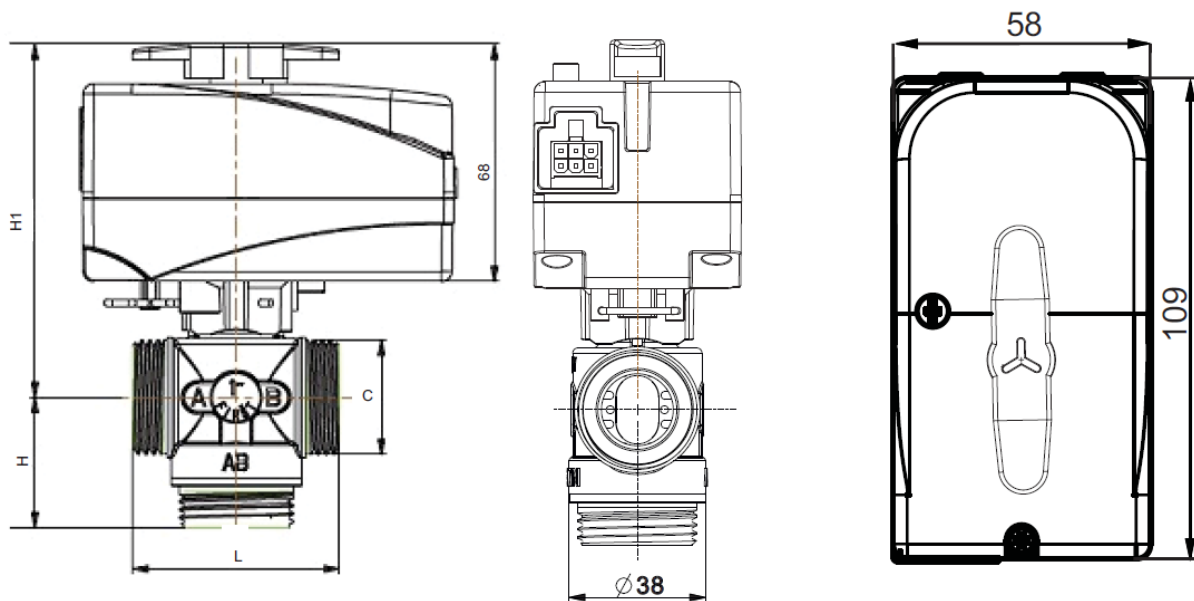


2. ACTUATOR - CABLE CONNECTION



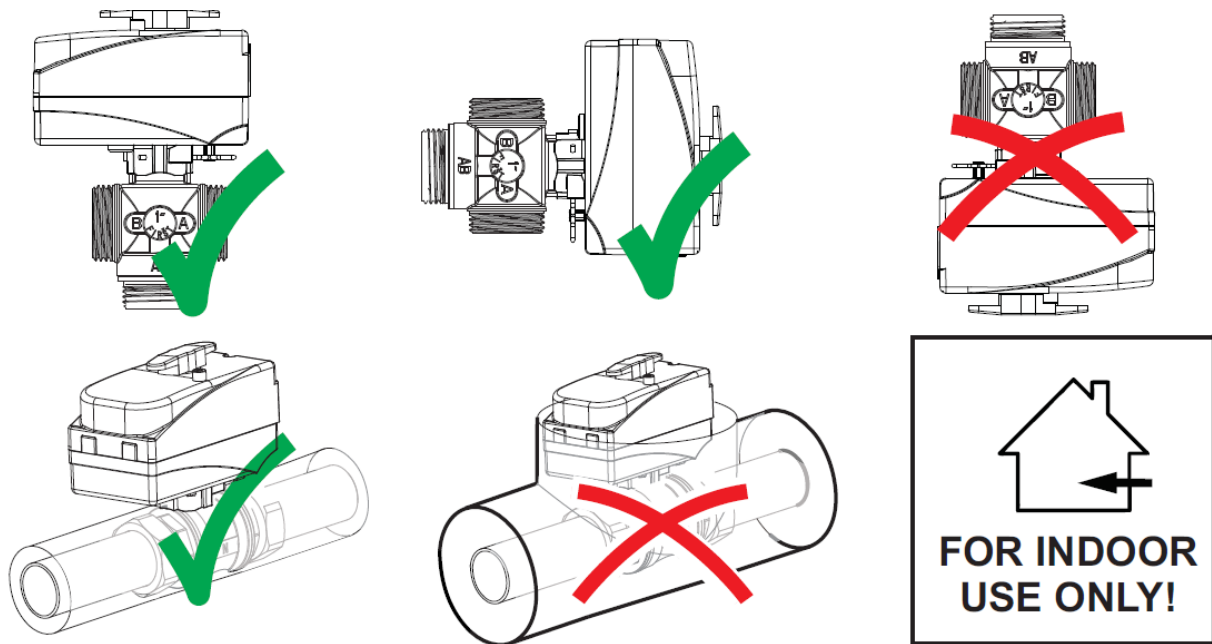
Diverting Valve – Firšt, 731895	Aerogor Inverter Heat Pump
Brown Cable	La
Blue Cable	N
Black Cable	DV

3. DIMENSIONS



Title	C	L (mm)	H (mm)	H1 (mm)	H2 (mm)	KVS (m ³ /h)	Weight (kg)
S9Gi0-M/K 532C G1"	G1"	60	38	103	/	8	0,63

4. INSTALLATION POSITION



Do not mount actuator under pipes fittings and other valves due to possible leakage of water. The installation site has to be frost-proof and the protection of the device from chemicals, paints, detergents, solvents and their vapor's and environmental influences must be guaranteed.